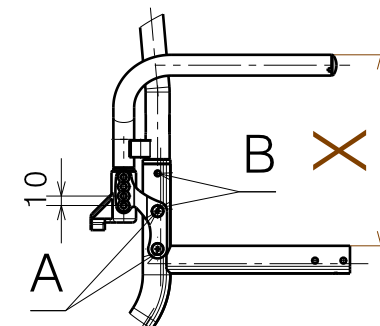


Mount ok.20 cm above the seat./
Montowac ok. 20cm nad siedzeniem.

Material			
No.	Plan	Article	Quantity
1	YP08471(R,)	2617365	1
	YP08472(L,)	2617465	1
2	YP08469(R)	2617165	1
	YP08470(L)	2617265	1
3	YP02372(R)	1899865	1
	YP02373(L)	1899765	1
4	XP00615	2990920	1
5	XP01843(Φ22)	2993563	1
	XP00697(Φ25.4)	2990919	1
6	XP00335	2990264	1
7	XP01560	2993561	4
	---	2990351	0,4m
8	CAP_D22	1990648	1
10	M6X45	2994125	2
11	M6x40	2994123	1
12	M6x25	2994062	1
13	M6	2994063	3

A: X=200mm-230mm
B: X=240mm- 270mm



EP00270 / E

TUBULAR ARMREST TRIGO				Plan No.
				EP00270/ E
Scale: 1:1	Drafted	Verified	Confirmed	
Date	28/06/2018	05/08/2020	05/08/2020	
Initials	AS	MK	TK	