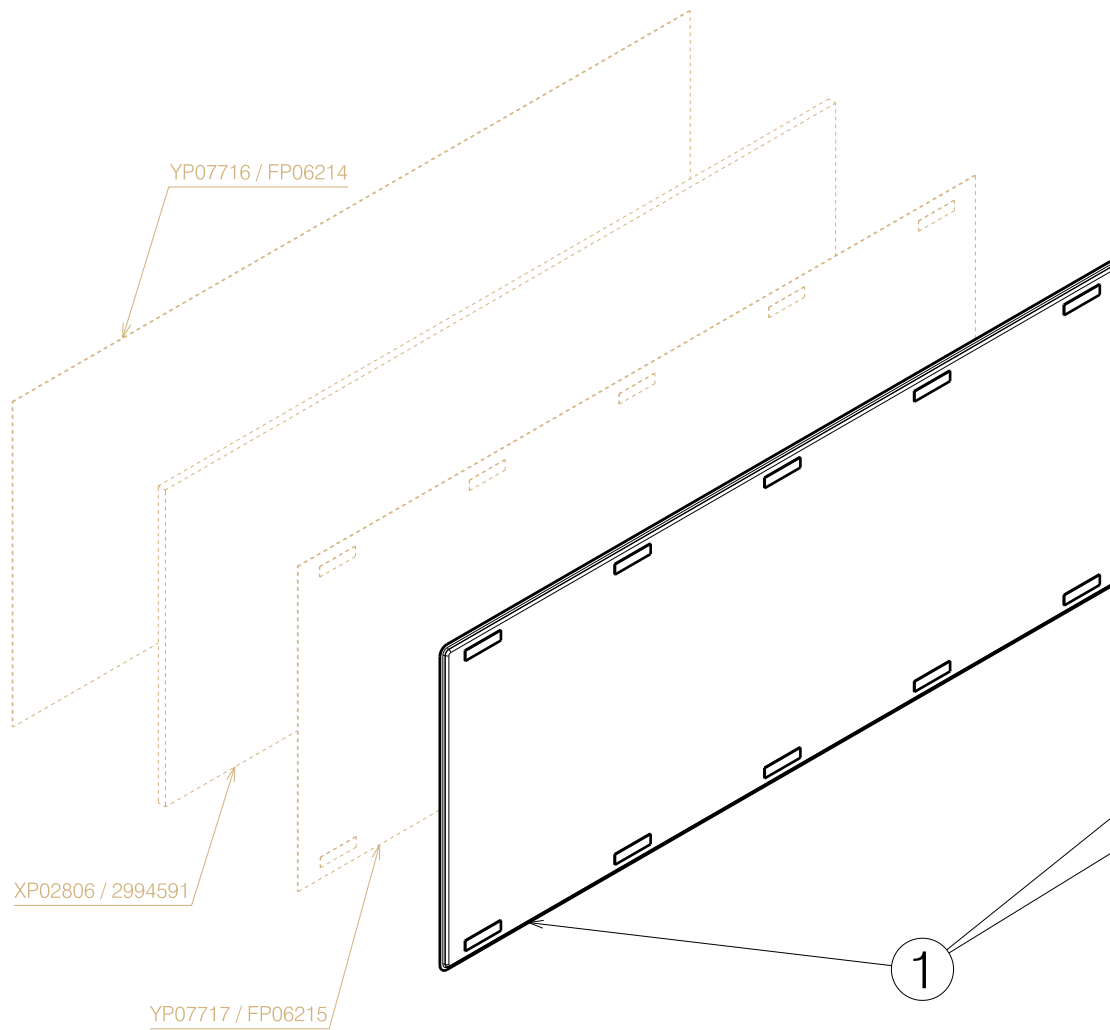
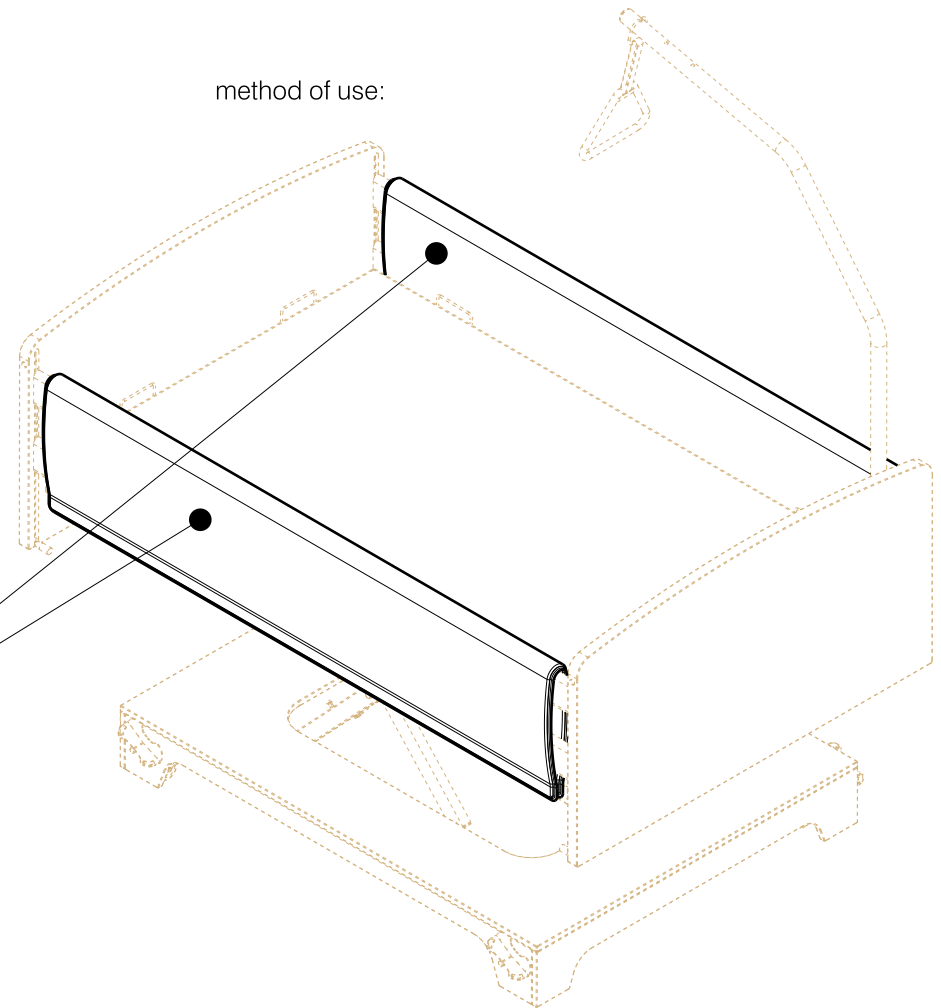


Material			
No.	Plan	Article	Quantity
1	YP07718	2994592	2



method of use:



EP00454 / A

PROTECTION CUSHION FOR WOODEN SIDE RAILS				Plan No.
				EP00454 / A
Scale: 1:15	Drafted	Verified	Confirmed	
Date	25/09/2019	25/09/2019	25/09/2019	
Initials	AZ	TK	TK	