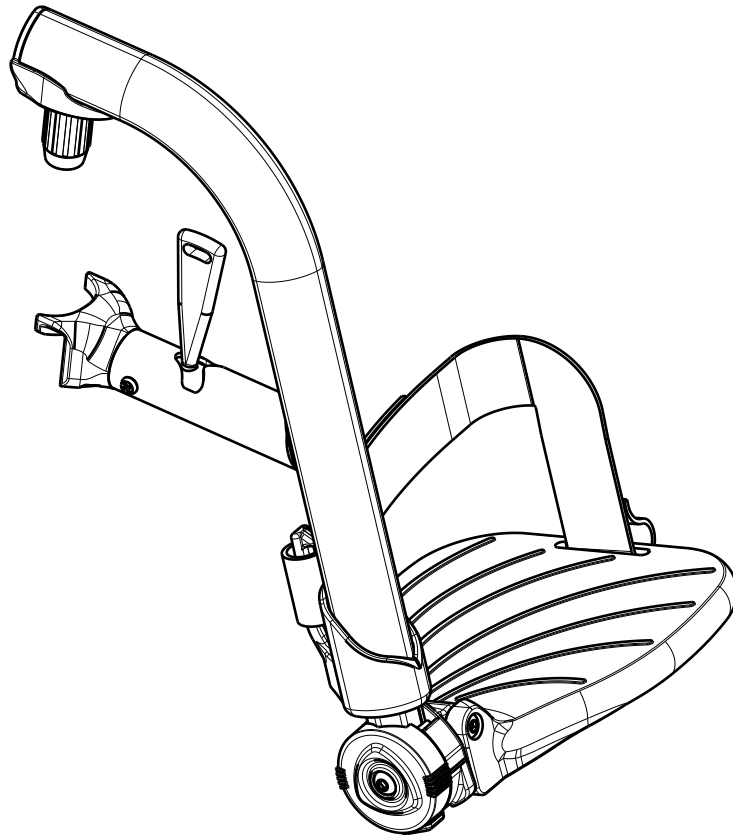


<h1>FOOTREST B06 TRIGO</h1>				Plan No.
				EP00250/ B
Scale: 1:3	Drafted	Verified	Confirmed	
Date	23/10/2017	17/09/2019	17/09/2019	
Initials	AS	MK	TK	



Material			
No.	Plan	Article	Quantity
1	YP05383	27122..(70)	1
	YP05531	27137..(80)	1
	YP05536	27138..(90)	1
2	XP01542	2993471	1
3	XP01546	2993452	1
4	XP01565	2993472	1
5	XP01513	GP08699	1
6	XP01512	2993454	1
7	XP01628	GP09100	1
8	XP01523	GP08000	1
9	XP02026	2993662	1
10	XP02025	2993661	1
11	XP01655(L)	2993501(38-40)	1
	XP01656(R)	2993502(38-40)	1
	XP01639(L)	2993475(42-44)	1
	XP01640(R)	2993476(42-44)	1
	XP01644(L)	2993480(46-48)	1
	XP01643(R)	2993479(46-48)	1
	XP01641(L)	2993477(50)	1
	XP01642(R)	2993478(50)	1
12	YP06404	2730199	1
13	Y016501	1733500	1
14	M6x12 DIN916	1005949	1
15	M6x40 DIN912	2994066	1
16	M6X45	2994086	1
17	M6	2994063	2
18	M6X25	2994062	1
19	M3.5x9.5	2994075	2
20	Belt	2994199	1

EP00250 / B

<h1>FOOTREST B06 TRIGO</h1>			Page 2/2	Plan No.
				EP00250/ B
Scale: 1:3	Drafted	Verified	Confirmed	
Date	23/10/2017	17/09/2019	17/09/2019	
Initials	AS	MK	TK	