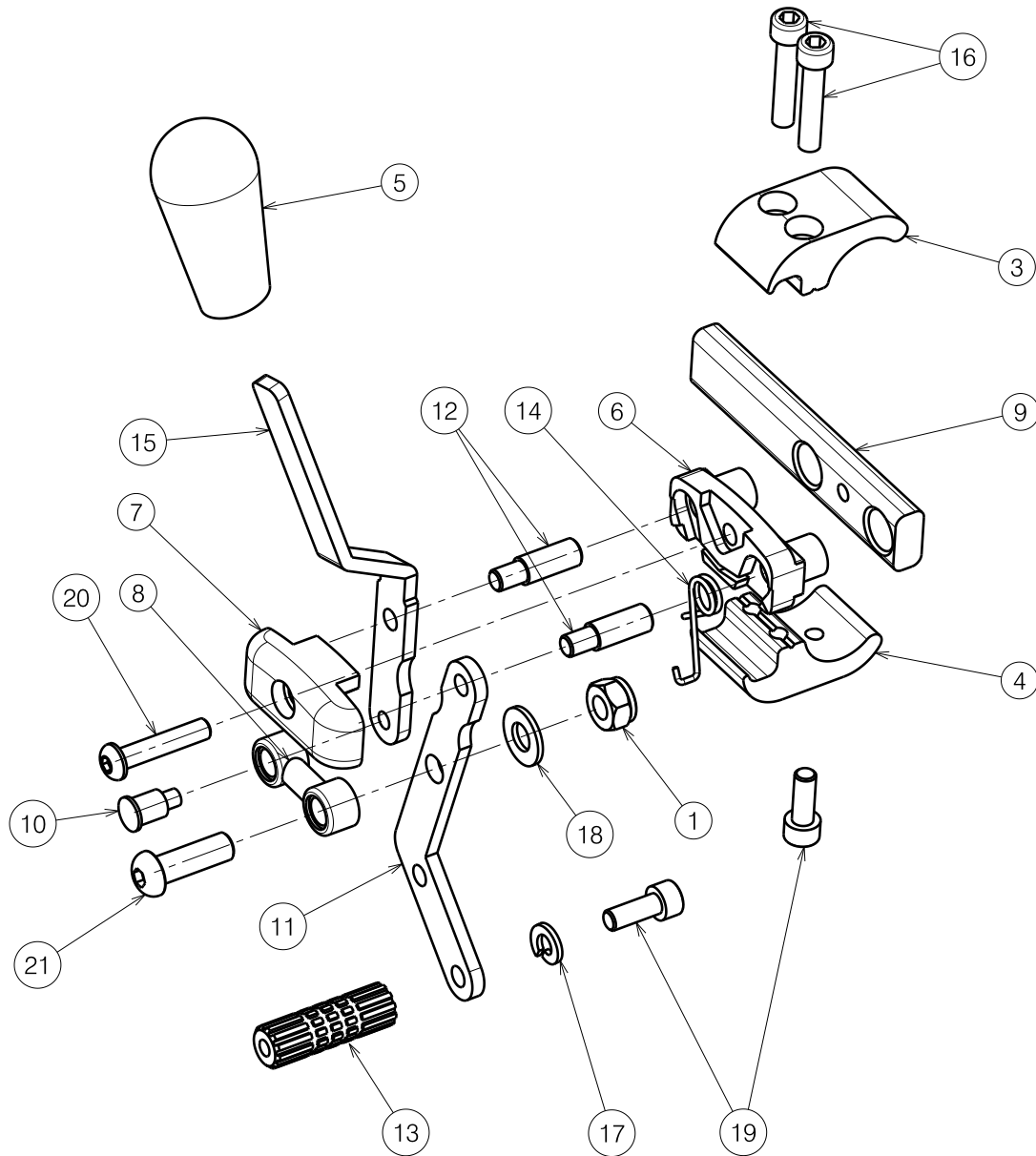


Material			
No.	Plan	Article	Quantity
1	X001016	1001682	1
3	X002115	1552682	1
4	X002116	1552782	1
5	X002134	1992411	1
6	X002139	1992426	1
7	X002140	1992427	1
8	X002141	1992435	1
9	X002155	1552582	1
10	X002165	1488300	1
11	X002471	1519554	1
12	X005276	1793900	2
13	X005277	17938	1
14	X005305	1910032	1
15	Y016713	1735454	1
16	M6x30 DIN912	1001495	2
17	M6 DIN127B	1004414	1
18	M8 DIN125	1003199	1
19	M6x16 DIN912	1001492	2
20	M6x30 ISO7380	1009588	1
21	M8x25 ISO7380	1990501	1

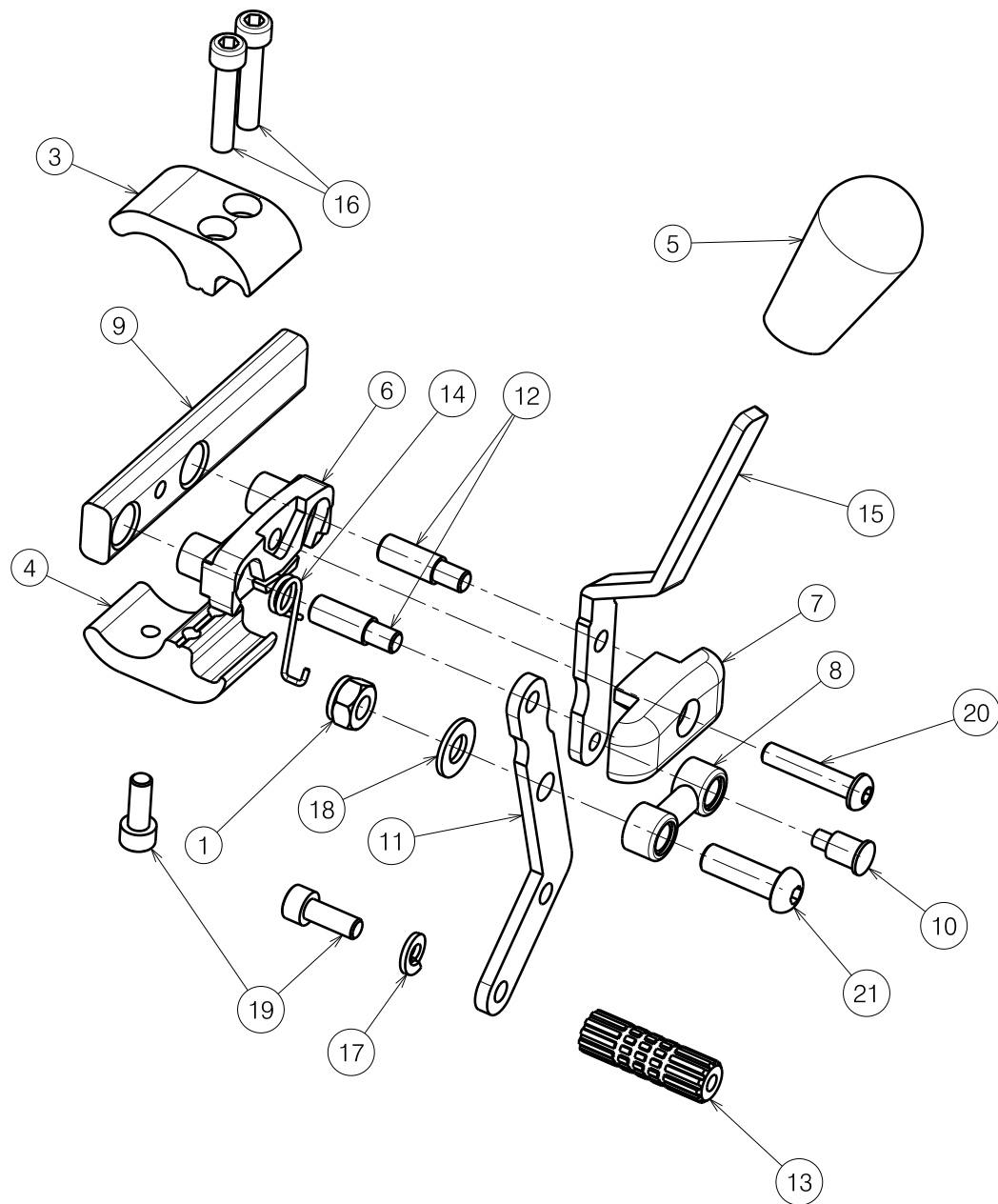


Left side - Page 1 / 2

1910163

E000918 / D

BRAKE SERENYS T30 2014 / EZ1 T30				Plan No. E000918 / D
Scale: 1:2	Drafted	Verified	Confirmed	
Date	16/01/2014	08/12/2017	08/12/2017	
Initials	SD	SD	PJ	



Material			
No.	Plan	Article	Quantity
1	X001016	1001682	1
3	X002115	1552682	1
4	X002116	1552782	1
5	X002134	1992411	1
6	X002139	1992426	1
7	X002140	1992427	1
8	X002141	1992435	1
9	X002155	1552582	1
10	X002165	1488300	1
11	X002471	1519554	1
12	X005276	1793900	2
13	X005277	17938	1
14	X005306	1910033	1
15	Y016715	1735554	1
16	M6x30 DIN912	1001495	2
17	M6 DIN127B	1004414	1
18	M8 DIN125	1003199	1
19	M6x16 DIN912	1001492	2
20	M6x30 ISO7380	1009588	1
21	M8x25 ISO7380	1990501	1

Right side - Page 2 / 2

1910164

E000918 / D

BRAKE SERENYS T30 2014 / EZ1 T30				Plan No.
				E000918 / D
Scale: 1:2	Drafted	Verified	Confirmed	
Date	16/01/2014	08/12/2017	08/12/2017	
Initials	SD	SD	PJ	